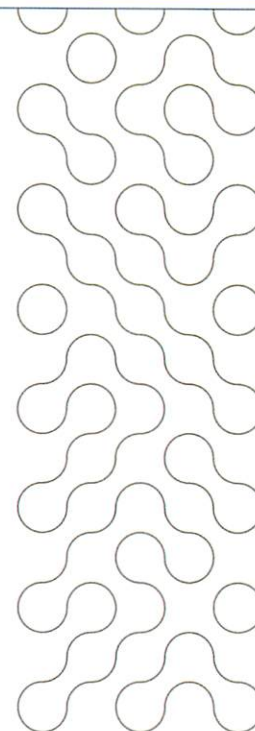
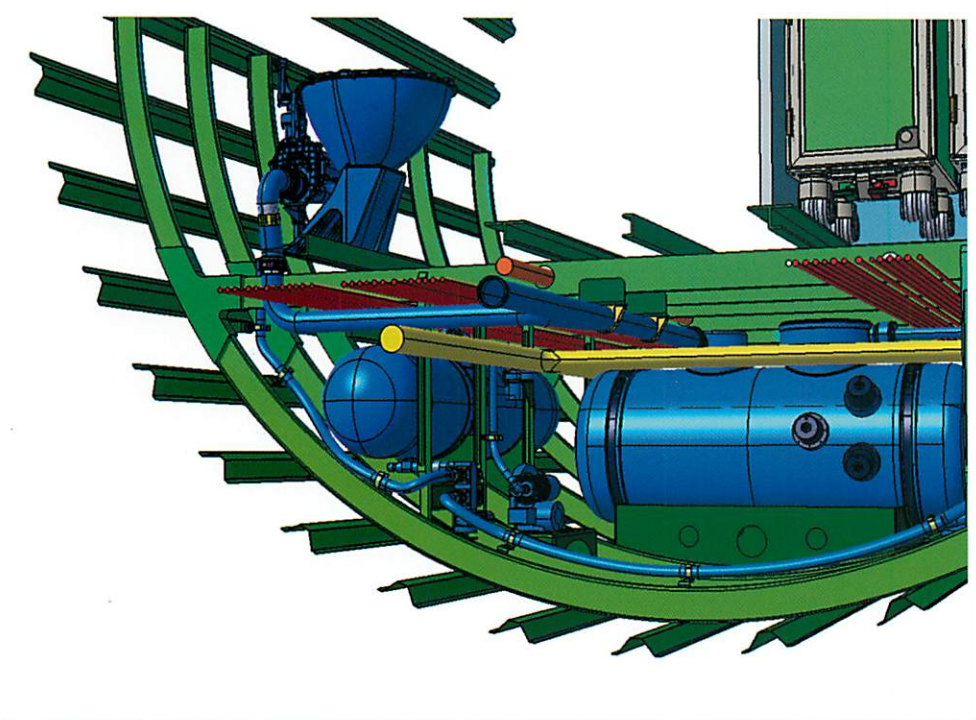
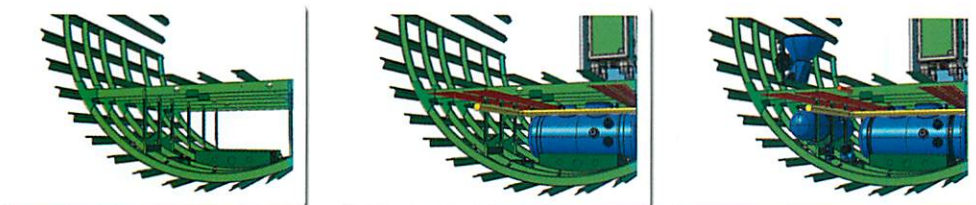




Aircraft Integration & Engineering Services

Aircraft Integration



Aircraft Integration

Let MSE (Monogram Systems Everett) handle all of your aircraft spatial integration needs. MSE can install any product into any airframe.

We are MSE, based in Everett, Washington, USA and anywhere you need us to be.

Lead

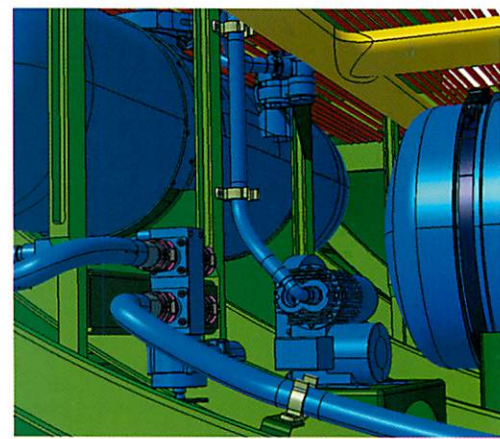
MSE leads in bringing the best spatial integration skills in the industry to you, no matter how big or small your project. Our experienced team will manage your project, working with your team and your suppliers to ensure a seamless product integration and problem-free installation.

Design

With MSE, you have smart people figuring out smart design solutions. MSE works to ensure that every integration solution optimizes aircraft performance and reliability by utilizing our in-depth understanding of the aircraft environment and interfaces.

Deliver

While others say they can, MSE is the only team in the industry that has actually designed, fully integrated and installed entire aircraft waste and water systems. Working with MSE means you have a Center of Excellence at the core of your project.





Aircraft Integration & Engineering Services

Aircraft Integration

Services

- Spatial integration of any part(s)
- Waste and water system design and integration
- Plumbing and transport element design
- Engineering off-load, small or large
- Spatial integration for aircraft refurbishments and passenger to freighter conversions
- Kitting design and management
- On-site build support

Program Management

- Managing design and integration phase deliverables
- Configuration control and management
- Change management
- Requirement management
- Risk management
- Cost and weight control

Tools

- CATIA V5/V4 (over 50 years of cumulative CATIA experience)
- ENOVIA Product Life Cycle Management Software
- 4D Navigator
- PDM softwares
- Any digital mock-up environment



Platforms

- Large Commercial Aircraft
- Regional Jets
- Business Jets
- VIP Airplanes
- Cargo Airplanes
- Passenger to Freighter Conversions
- Airplane Refurbishments

Additional Information

For more information, please e-mail
Cindy.Chapman@zodiacaerospace.com